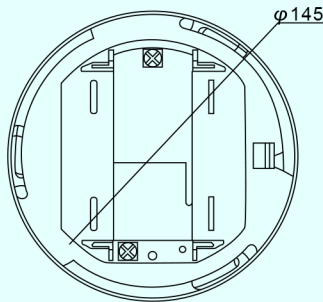
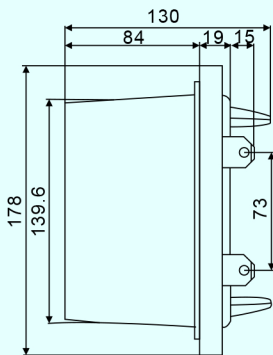




◆ Overall and installation dimensions

Weight: about 0.7g



◆ Product Overview

Type LTAM12 single phase electronic energy meter circle using the latest technology of manufacturing, with small size, light weight, long service life, used to measure the rated frequency 60Hz, the rated voltage 240V single-phase AC active electric energy, the use of dedicated large-scale integrated circuits, in order to ensure the accuracy and reliability of measurement using LCD display power consumption, table covers the use of flame-retardant Polycarbosilane production, phenolic base using high-quality plastic mold making, with double insulation, IP54 protection against dust, water etc. .

The design of the power meter to meet the broad needs of the market, it is a breakthrough in measurement technology changes and improves the efficiency of the energy meter, and has Anti-Electric Larceny infrared communications, low power consumption characteristics, the user can, through infrared light electric energy meter communication port for setting parameters or download the recorded data, with the former compared to the Electrical Energy Meter with more advantages.the products comply with ANSIC12.10 and IEC62053-21, IEC 62052-11 standards of the relevant provisions of 1.0 Energy Measurement requirements.

◆ Features

- high reliability, simple structure, high accuracy measurement;
- low-power consumption, power consumption does not pass power meter;
- Low start-up power;
- anti-tampering design to minimize the extent of Electric tamper, when the reverse can be an accurate record of hours of electricity consumption;
- measurement using dual-loop design, with Anti-tamper function;
- with real-time display and power-power directional;
- tamper with light;
- with the infrared communication port, can be set up table, to read, such as electricity to operate;
- 5+1 large easy-to-read liquid crystal display, the smallest error reading.

◆ The main technical parameters

Application standard	ANSIC12.10, IEC62053
Accuracy	class 1.0、class 0.5
Form	1S、2S
Current	class100、class100
Rated Voltage	120 VAC、240 VAC
Limit Voltage	0.87Vn to 1.2Vn
Frequency	60Hz
Operating temperature range	-25°C~60°C
Storing temperature range	-30°C~80°C
Current Circuit	<0.3VA
Voltage Circuit	<0.8W/3.5VA
Insulation strength	4kV 50Hz 1 minute
Striking potential	6kV 1.2/50us
Short-circuit current	30Imax
Pulse experiment	4kV (IEC801 4)