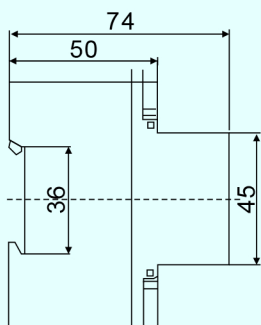
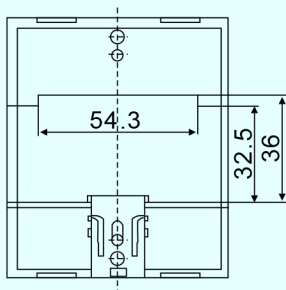
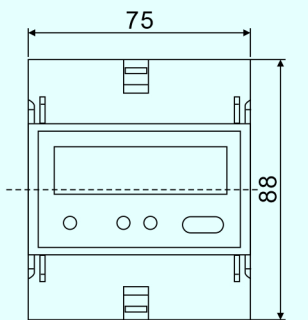




◆ Overall and installation dimensions

Weight: about 0.4kg



◆ Product Overview

The single-phase electronic energy meter used advanced microelectronic technology and SMT manufacturing process of products, the products are used in rated frequency 50Hz (optional 60Hz) single-phase AC active energy measurement. The LCD display used in the table. With the measurement of high precision, high sensitivity, reliable performance, load width, low power consumption, small size, light weight, simple operation, easy to install and so on.

The products meet the IEC 62053-21, IEC 62052-11 standard for electronic energy meter of the relevant technical requirements.

◆ Features

- Has a positive and negative sides to the measurement function, and the accumulated energy in the same direction, that is included in the reverse power forward.
- Power display with 7 digits, in which five integer digits, two decimal places; it can be six integer digits, one decimal place; unit kWh, recording cumulative total active power consumption .
- When the power meter device communicate with the outside world by the communication indicator light, said the state energy meter in communication.
- Has the passive-isolated pulse output energy, pulse-output square wave, pulse width of not less than $80\text{ms} \pm 20\%$.
- Parametric programming (RS485 or infrared programming, setting, meter reading) can be set to meter the table number (address), active energy start reading passwords.
- With a reverse direction feature: When the current is reversed, reverse indicator light.

◆ The main technical parameters

Rated Current	5(20)A、5(30)A、10(40)A、15(60)A、15(100)A
Rated voltage	220V、230V
Rated frequency	50Hz、60Hz
Accuracy Class	Class 1.0、Class 2.0
Communication	RS485